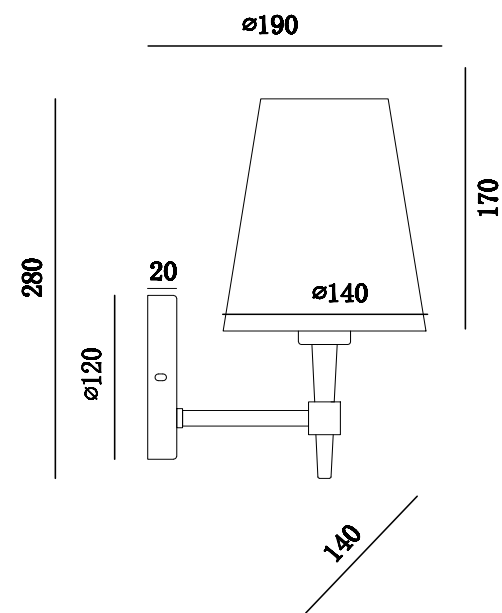
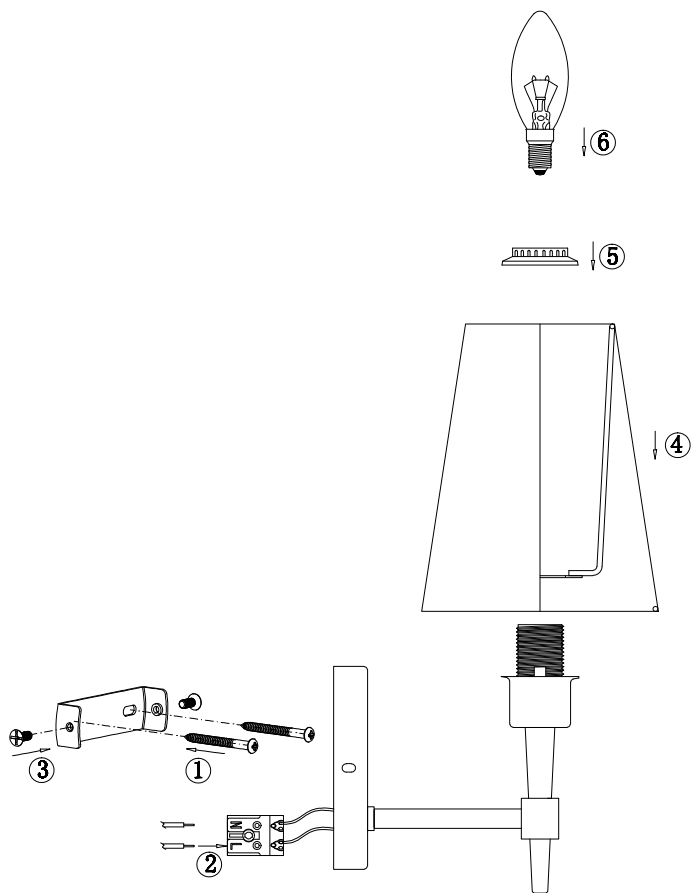


Instruction

H001WL-01BS



1 x E14 (40W)

Model: H001WL-01BS
Collection: House
Series: Zaragoza



Wall Lamps